

[Simplest Stool](#) [1]

Submitted by [Ana White](#) [2] on Tue, 2011-01-18 10:57

**Summary:**

A very simple stool that can also be used as an end table. Try a round top for a more comfortable stool.



Simplest Stool

Published on Ana White (<http://ana-white.com>)

Categories **Room:** [kitchen](#) [3]

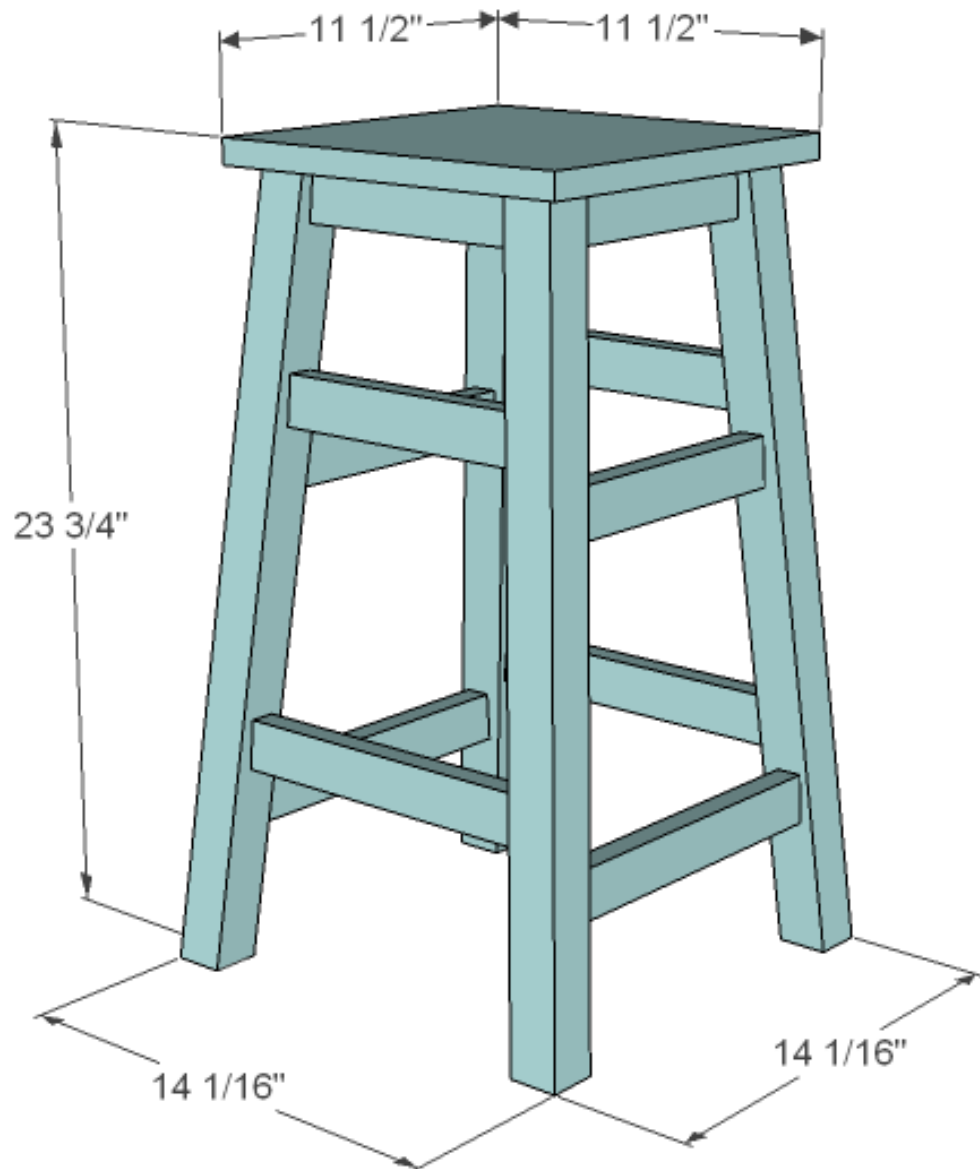
Skill Level: [Intermediate](#) [4]

Style: [Cottage](#) [5]

Estimated Cost: [Under \\$20](#) [6]

Dimensions: Dimensions are shown above. Stool is suitable for counter height (NOT bar height) use.

Dimensions:



- 1 - 2x2 @ 8 feet long
- 1 - 1x2 @ 10 feet long
- 1 - 1x12 @ 11 1/2" long or 12" plywood round, 3/4" thick
- 2 1/2" screws (for countersinking) or 1 1/4" pocket hole screws
- Wood glue, wood filler, sandpaper and finishing supplies

Tools: measuring tape
square
pencil
safety glasses
hearing protection



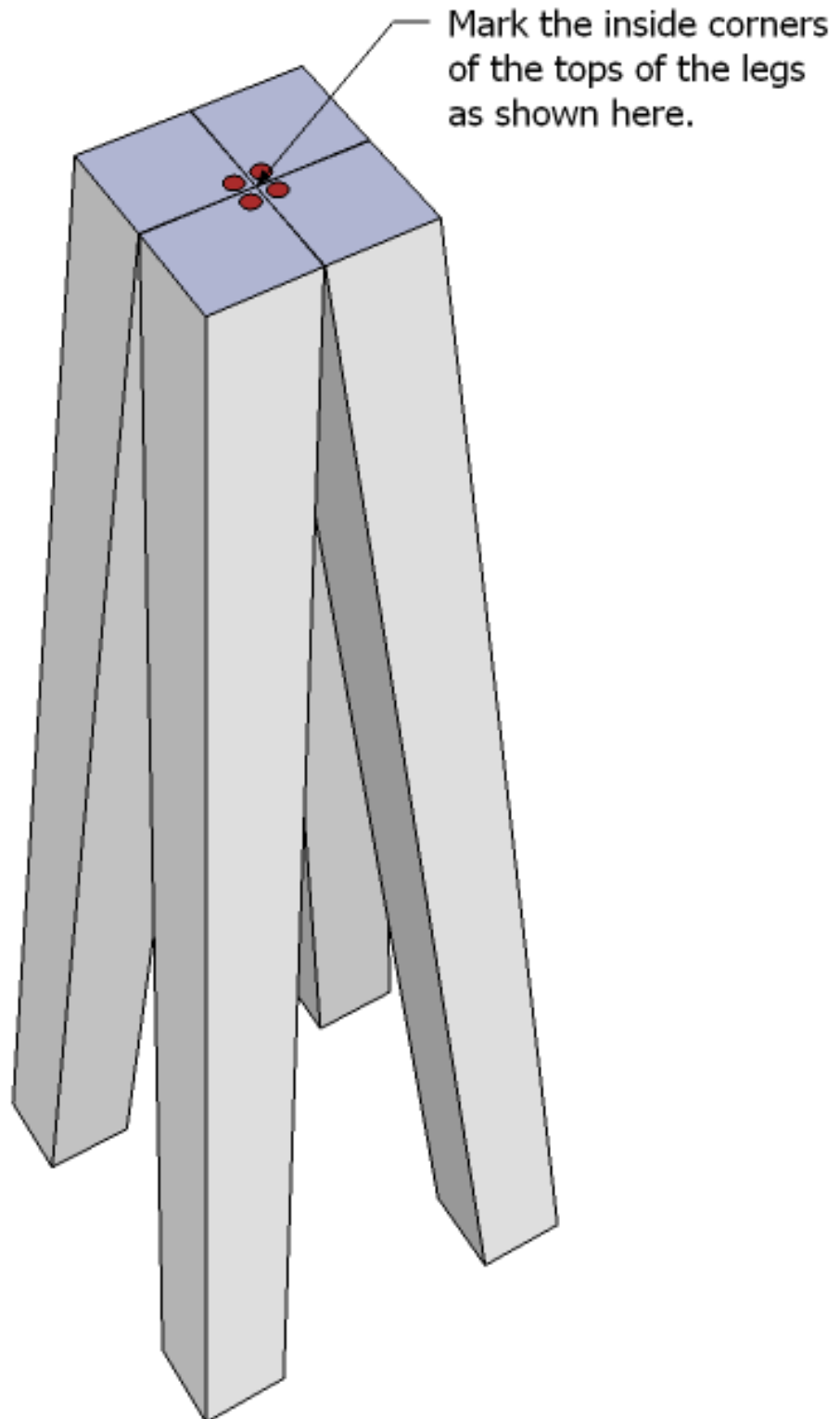
drill
compound miter saw
sander
level
countersink drill bit

Cut List:

4 - 2x2 @ 23 1/4" long, ends cut at a 5 degree angle AND a 5 degree bevel
4 - 1x2 @ 7", short point to short point, ends cut at a 5 degree angle NOT parallel to each other
2 - 1x2 @ 10" short point to short point, ends cut at a 5 degree angle NOT parallel to each other
2 - 1x2 @ 8 1/4" short point to short point, ends cut at a 5 degree angle NOT parallel to each other
2 - 1x2 @ 9 1/2" short point to short point, ends cut at a 5 degree angle NOT parallel to each other
2 - 1x2 @ 8" short point to short point, ends cut at a 5 degree angle NOT parallel to each other
1 - 1x12 @ 11 1/2" (cut to make a square, so measure the width of your 1x12)

Cutting Instructions: To cut the legs, set you saw at a 5 degree angle and a 5 degree bevel. Trim off the end of the 2x2 as close to the end as you can. Then measure 23 1/4" along the same edge and make a cut. You've got one leg. Continue simply sliding the board down and making more cuts (using the last boards cut as your first cut) until you have four legs. You should be able to get all four cuts out of one eight foot long 2x2. For the supports and rungs, all ends are cut at a 5 degree angle, NO BEVEL. Also unlike the legs, the ends will NOT be parallel to each other. Simply make a five degree cut, flip your board over by simply rotating it 180 degrees as you would rotate a rolling pin and measure the cut, short point to short point. Make another 5 degree cut.

Step 1

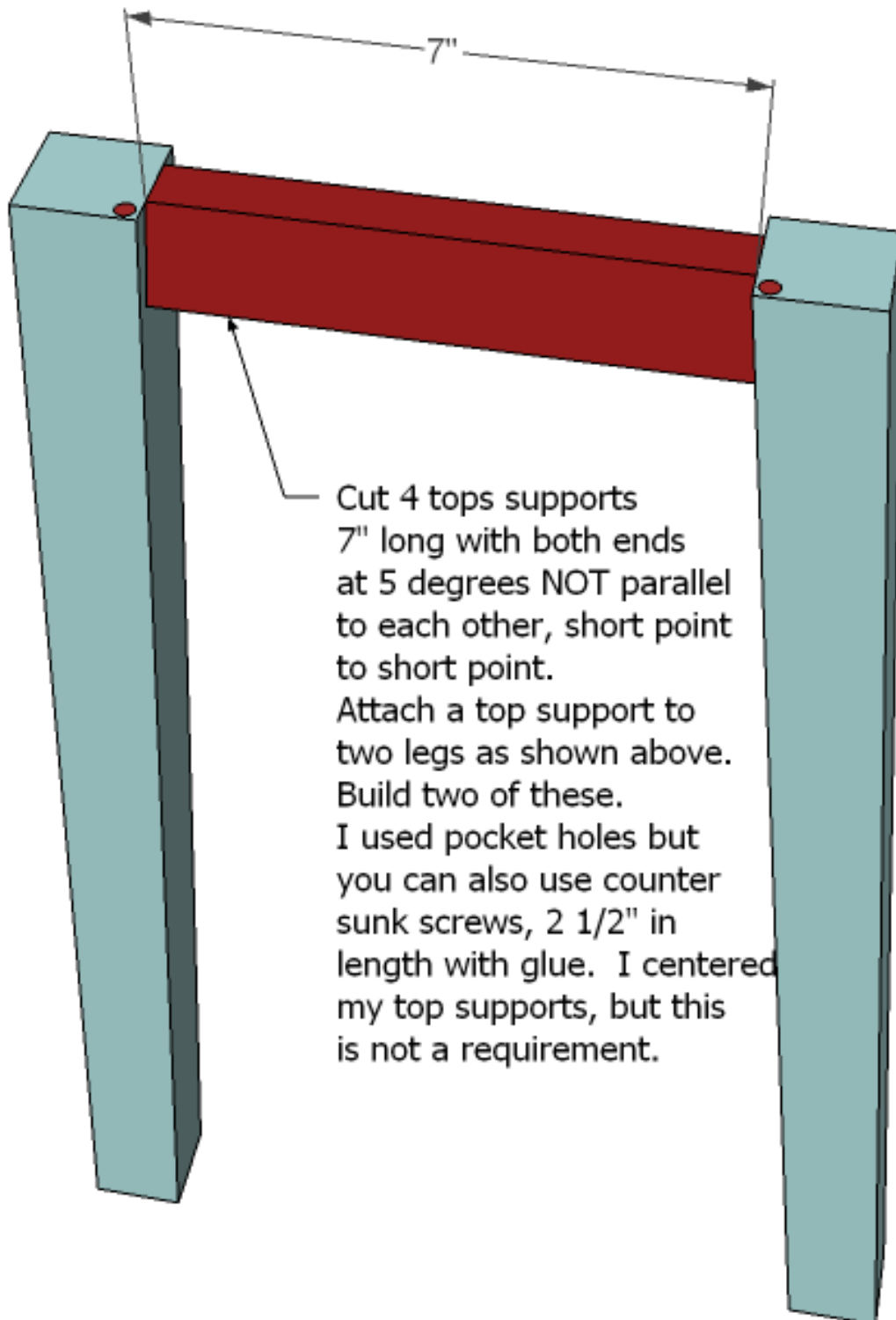


[7]

Mark Legs

Because the angle on the legs is only five degrees and is a double bevel, it is easy to lose track of the correct position of your legs. Stand your legs up as shown above, and mark the inside corners. Always remember that these corners will be to the inside of the leg.

Step 2

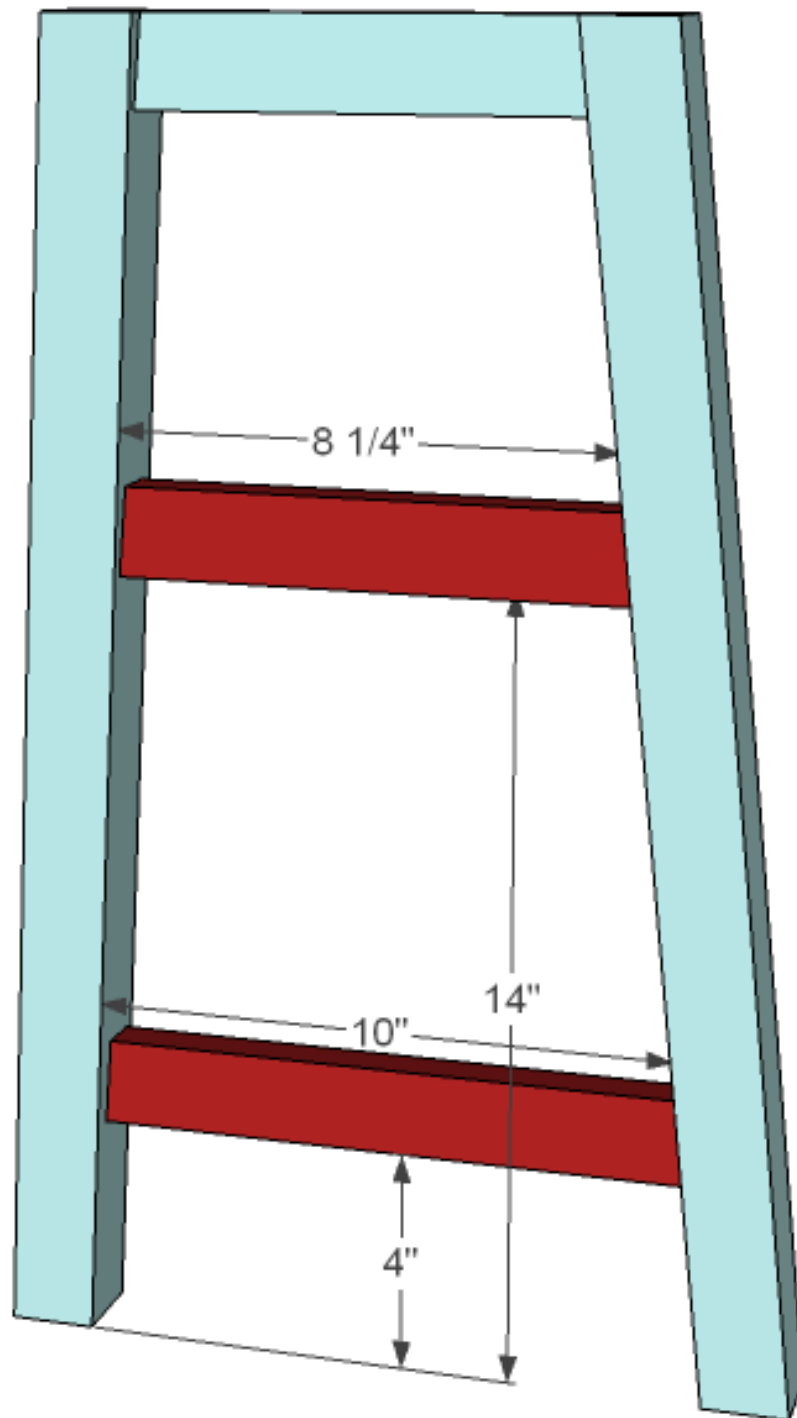


[8]

Top Supports

You will need to build two of the above legs sets, as shown above.

Step 3

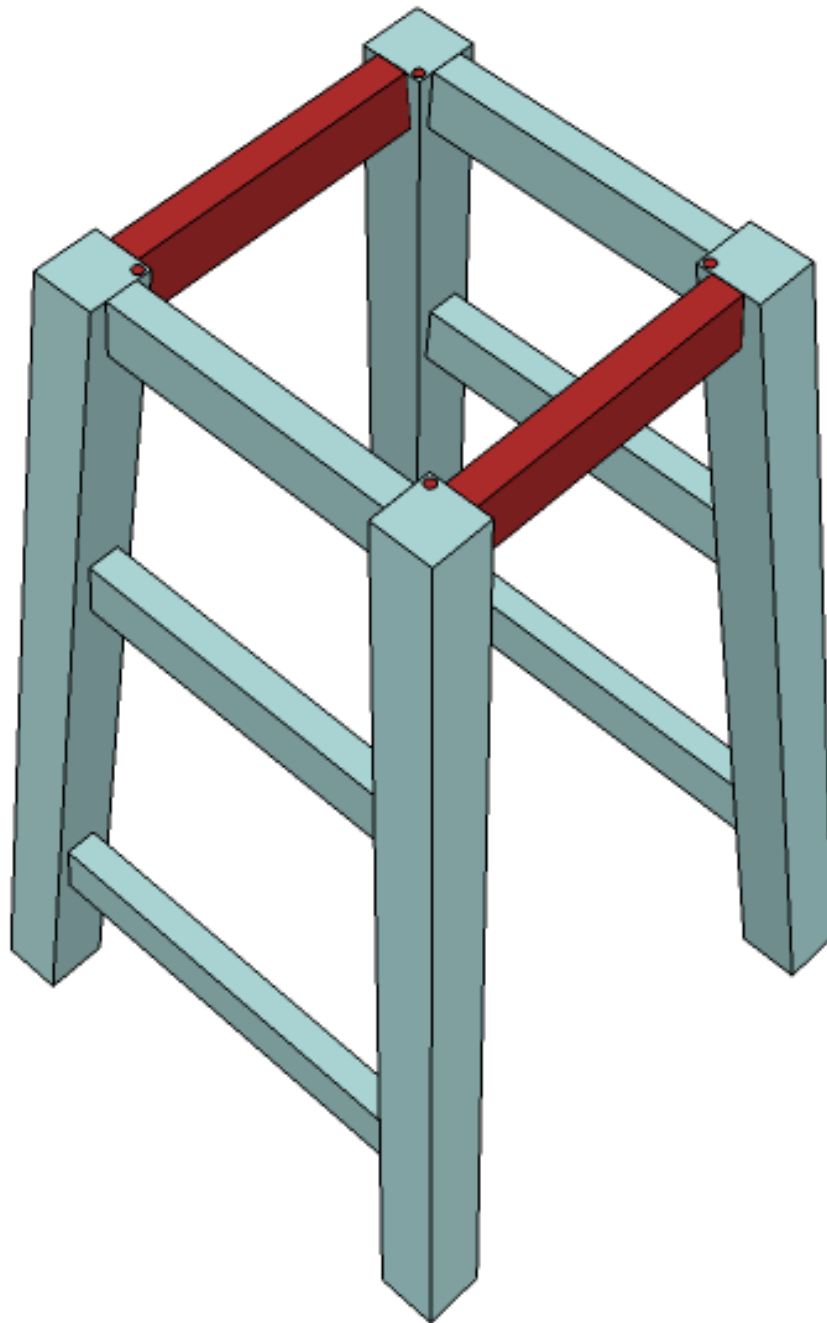


[9]

Additional Rungs

Add the additional rungs as shown above. Don't forget the glue.

Step 4

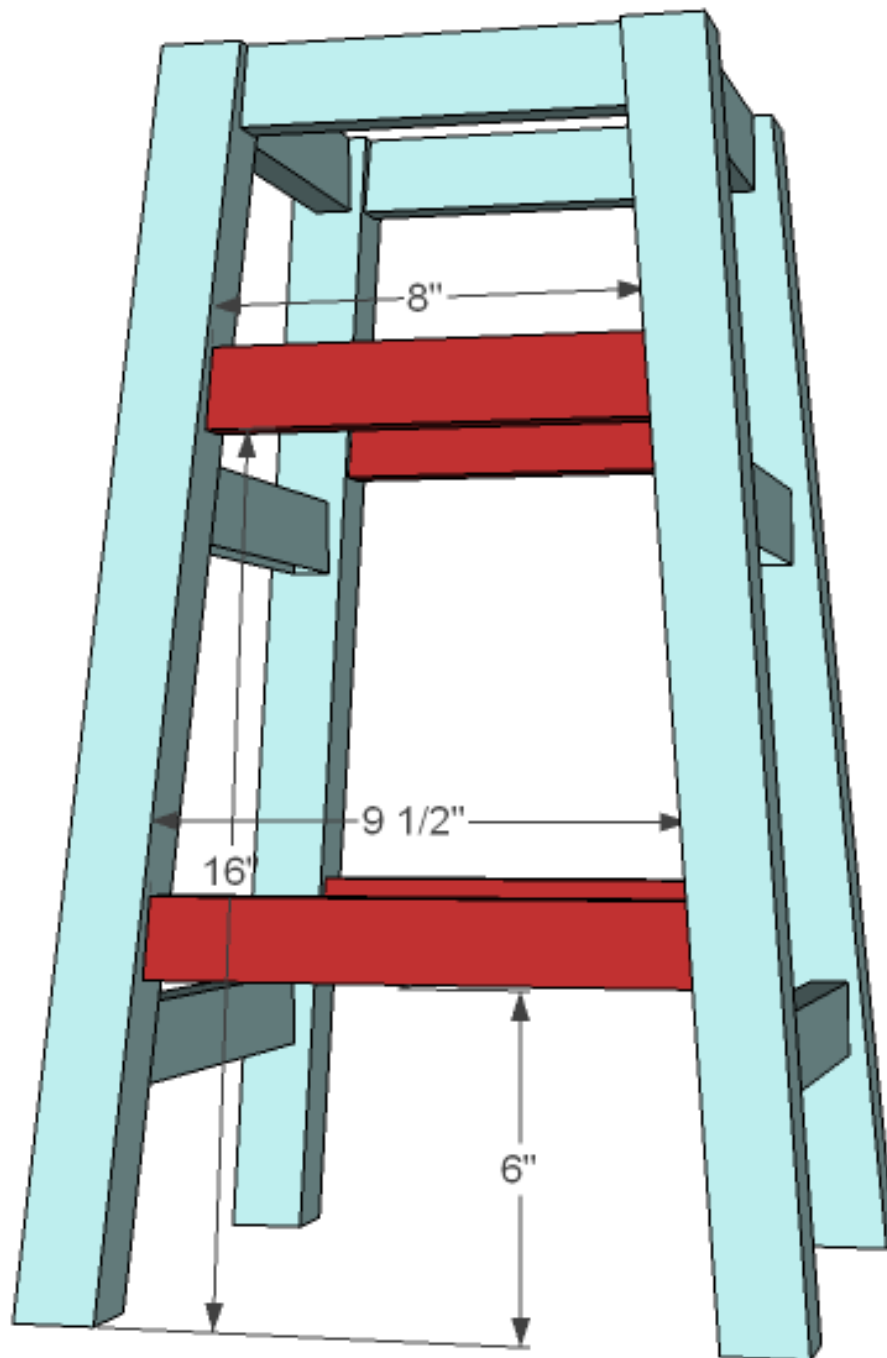


[10]

Top Supports

Attach the remaining top supports to join the two leg frames as shown above.

Step 5

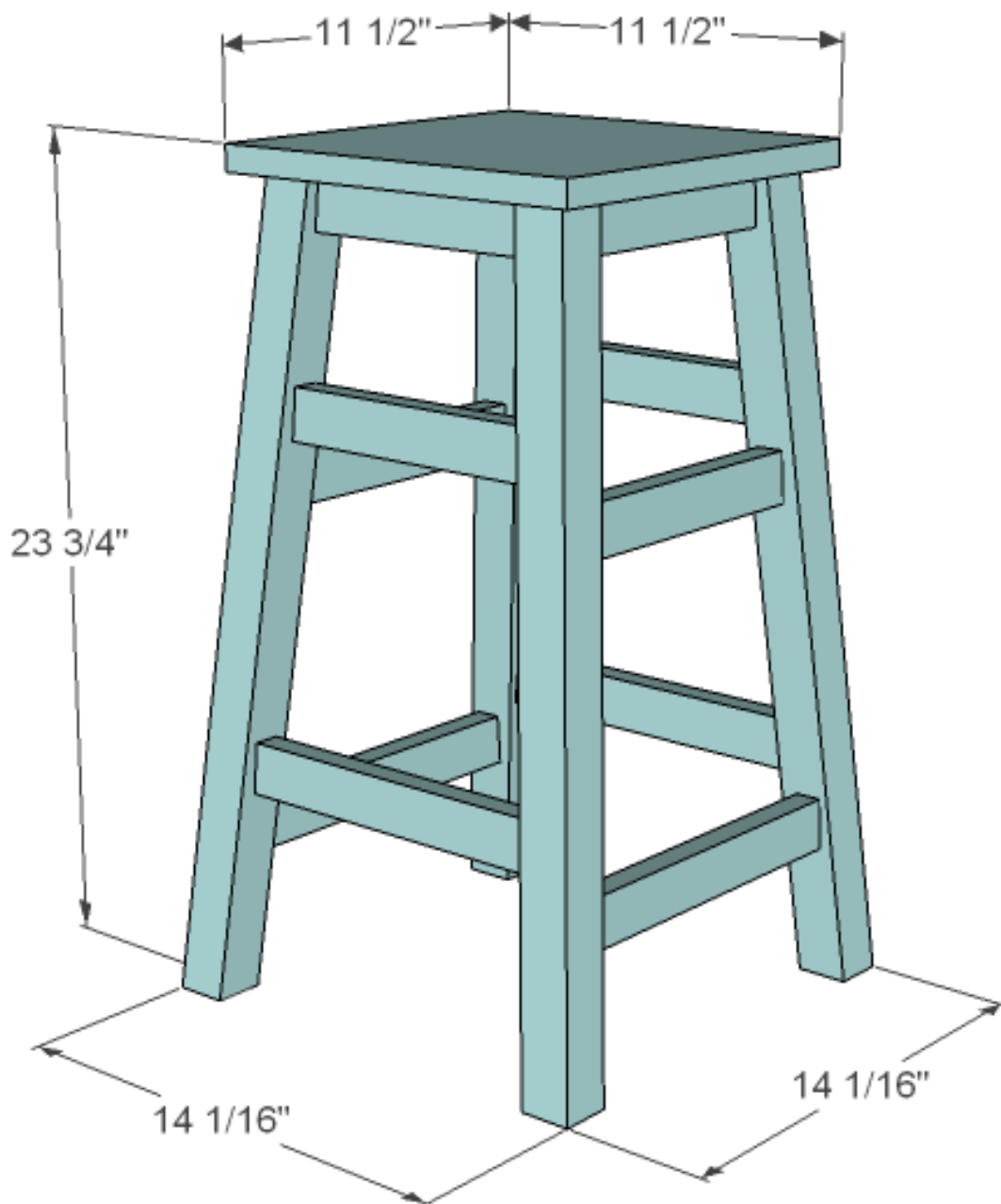


[11]

Additional Rungs

This step should be as easy as just adding the additional rungs. But I found my stool getting seriously crooked and making me wonder . . . where did I get off so bad? What was happening is the stool was simply getting off square. So have someone hold the stool down so that the four legs are resting squarely on the work surface (NO WOBBLE) and attach the rungs with the stool held square.

Step 6



[12]

Top

Attach the top as shown above. I screwed through the top supports into the underside of the top to hide screw holes.



Finishing Instructions **Finish Used:** Fill holes with wood filler and let dry. Add another coat if necessary. Sand with 120 grit sandpaper (Recommended - round the top edges until the seat is comfortable to sit on) and vacuum and wipe clean. Paint (turn upside down and paint the underside first, then flip over and paint the top side) or stain as desired.



[13]I cannot believe we don't already have this stool as a plan. It's so simple, and if you have a 1x12 scrap, can be just a few dollars to make. If you prefer a rounded top, I noticed at both Lowes and



Simplest Stool

Published on Ana White (<http://ana-white.com>)

Home Depot 3/4 plywood 12" rounds were just \$6. Of course you could just cut your own too.



[14]

This stool is really cute and sturdy, but I could also see it used as an occasional table. So if you have a miter saw that double bevels, and a 2x2 and 2 1x2s, you can build this stool in probably about a half hour. But I'm so glad to be publishing a tutorial, because there are a few tricks that I will be passing along to you.



Source URL: <http://ana-white.com/2011/01/simplest-stool.html>

Links

- [1] <http://ana-white.com/2011/01/simplest-stool.html>
- [2] <http://ana-white.com/users/ana-white>
- [3] <http://ana-white.com/category/plans/room/kitchen>
- [4] <http://ana-white.com/category/plans/skill-level/intermediate>
- [5] <http://ana-white.com/category/plans/style/cottage>
- [6] <http://ana-white.com/category/plans/estimated-cost/under-20>
- [7] <http://ana-white.com/sites/default/files/simplest-stool-plans-diy-furniture-end-table-1.png>
- [8] <http://ana-white.com/sites/default/files/simplest-stool-plans-diy-furniture-end-table-2.png>
- [9] <http://ana-white.com/sites/default/files/simplest-stool-plans-diy-furniture-end-table-3.png>
- [10] <http://ana-white.com/sites/default/files/simplest-stool-plans-diy-furniture-end-table-4.png>
- [11] <http://ana-white.com/sites/default/files/simplest-stool-plans-diy-furniture-end-table-5.png>
- [12] <http://ana-white.com/sites/default/files/simplest-stool-plans-diy-furniture-end-table-61.png>
- [13] <http://ana-white.com/wp-content/uploads/2011/01/simplest-stool-diy-build-3.jpg>
- [14] <http://ana-white.com/wp-content/uploads/2011/01/simplest-stool-diy-build-ma.jpg>